

SY155C

# Strong Power Value Leader

**Brand new change** **QUALITY**  
**CHANGES THE WORLD**  
Quality changes the world



## Selling Points

### ● Firm & Durable

With working device designed for mine operation, slewing platform with anti-collision side beam and heavy-duty traveling mechanism, the SY155 becomes a typical "mine-type" model.

### ● Durable & Efficient

With unique automatic optimizing control technology (AOCT), the engine matches with the main pump perfectly, the service life of the component is extended by 30%, the action is faster and the working efficiency is improved by 10%.

### ● Energy Conservation and Environment Protection

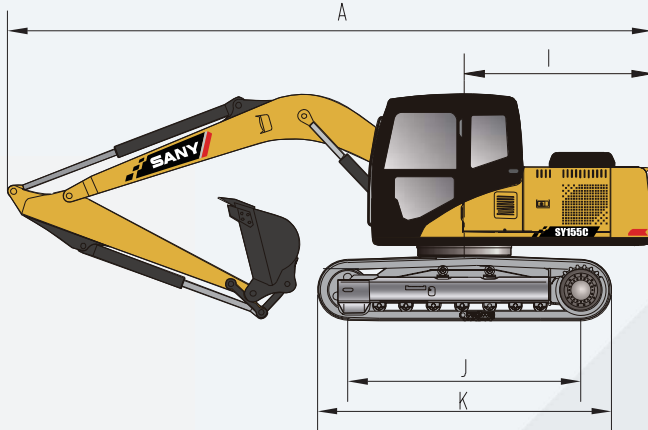
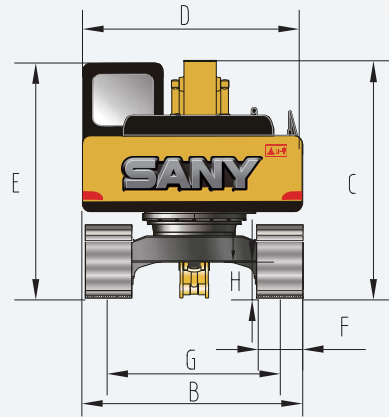
With environmental friendly engine in accordance with national emission standard of stage III, the operating mode could be regulated automatically according to different working conditions to realize precise control in real time; as compared with previous generation, the fuel consumption is lower.

### ● Innovative Appearance

With new type masculine cabin, full three-dimensional covering parts, and bread new appliqué of stronger recognizability, the overall appearance is more beautiful, elegant and featured.

## Overall dimensions (mm)

## Standard



### SY155C

A Overall length (in transportation state)	7870
B Overall width (in transportation state /in operation state)	2570
C Overall height (in transportation state)	2880
D Upper width	2490
E Total height to the cab top	2740
F Width of standard track shoe	500
G Track gauge (in transportation state / in operation state)	1990
H Minimum ground clearance	425
I Slewing radius of tail	2210
J Ground contact length of track	2930
K Track shoe length	3665

## Performance parameters

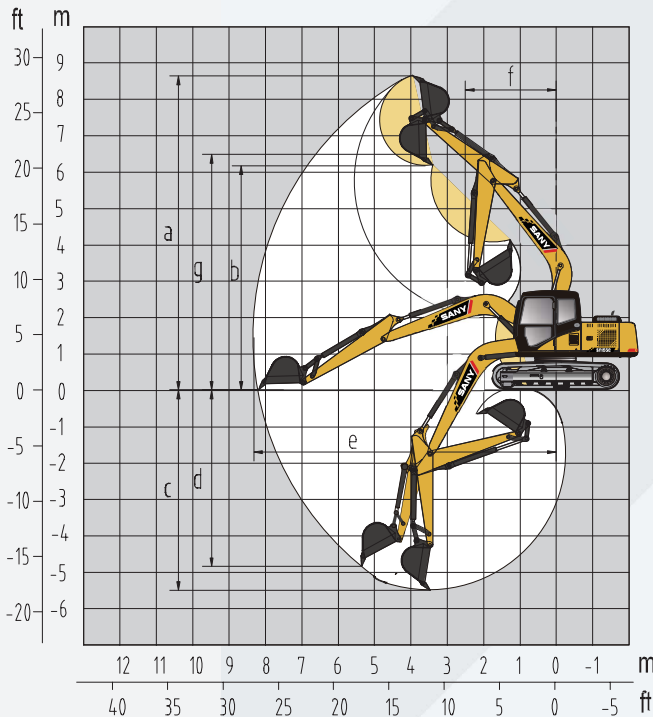
## Standard

### SY155C

Total weight, kg	14100
Bucket capacity m <sup>3</sup>	0.22-0.7(0.6)
Rated power, kW/rpm	73/2000
Traveling speed (high/low), km/h	5.5/3.5
Slewing speed, rpm	12
Gradeability	70%/35°
Ground pressure, kPa	43
Digging force of bucket, kN	92.7
Digging force of bucket rod, kN	66.13

## Operating range (mm)

## Standard



### SY155C

a Maximum digging height	8610
b Maximum unloading height	6115
c Maximum digging depth	5500
d Maximum digging depth with vertical boom	5085
e Maximum digging distance	8330
f Minimum slewing radius	2490
g Maximum height at maximum slewing radius	6495

## SANY Heavy Machinery Co., Ltd.

SANY Industrial Park, Dongcheng Avenue, Kunshan Economic & Technological Development Zone, Jiangsu Province

Post code: 215300

After-sales service hotline: 4008-28-2318

Consulting & complaint hotline: 4008-87-9318



## Note

The documents and technical specification will be changed without further notice due to continuous technical improvement. The machine in the picture might include additional equipment.

ZJSYX0604CH (August, 2017)

Printed in CHINA